



INSTALLATION INSTRUCTIONS FOR PART 95-9308B

INSTALLATION INSTRUCTIONS FOR PART 95-9308B

APPLICATIONS BMW X5 2000 - 2006

95-9308B

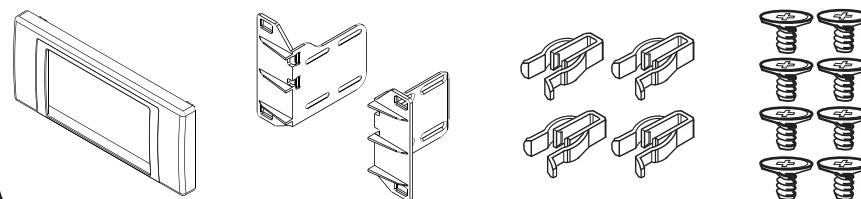
KIT FEATURES

- DDIN Head Unit Provision
- ISO Stacked Head Unit Provision
- Painted Scratch Resistant Matte Black



KIT COMPONENTS

- DDIN Radio Trim Plate
- DDIN Brackets
- (4) Plastic Snaps
- (8) Flush ISO Screws



TOOLS REQUIRED

- Phillips Screwdriver
- Torx Screwdriver
- Panel Removal Tool
- Small Flat Blade Screwdriver
- Cutting Tool or File



METRA. THE WORLD'S BEST KITS.™



1-800-221-0932



metraonline.com

© COPYRIGHT 2004-2009 METRA ELECTRONICS CORPORATION

METRA. THE WORLD'S BEST KITS.™



1-800-221-0932



metraonline.com

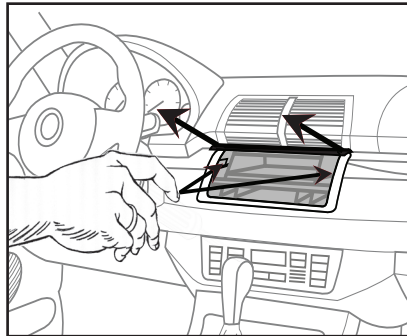
© COPYRIGHT 2004-2009 METRA ELECTRONICS CORPORATION

REV. 1/07/2010

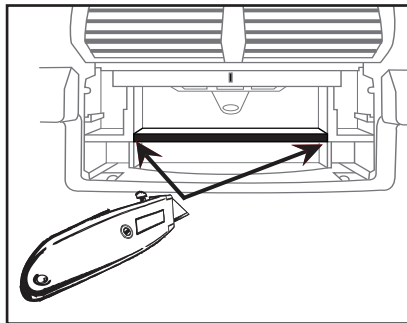
BMW X5 2000-2006

.....Continued from Pg. 1

C



D



Continue to Kit Assembly

- 8** With the factory radio door open, press in on the tabs at either side and remove the door. (Fig. C)
- 9** Cut and remove shown section from the sub dash. (Fig. D)

BMW X5 2000-2006

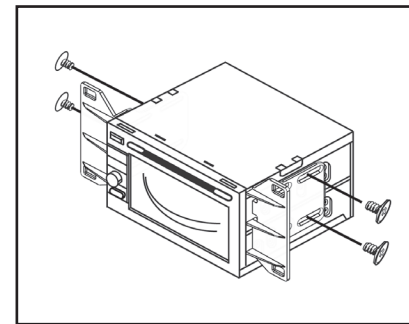
- 1** Mount the DDIN radio to the supplied DDIN brackets using the ISO screws supplied with the aftermarket radio (screws must be flush). (Fig. A)

- 2** Locate the factory wiring harness in the dash. Metra recommends using the proper mating adapters from Metra and AXCESS to integrate your new radio. Re-connect the negative battery terminal and test the unit for proper operation.

- 3** Snap the radio bracket assembly into the dash opening (tight fit). (Fig. B)

- 4** Snap the DDIN trim plate over the radio (be sure to align the snaps with the holes in the brackets or it won't seat properly). (Fig. B)

A



B

