



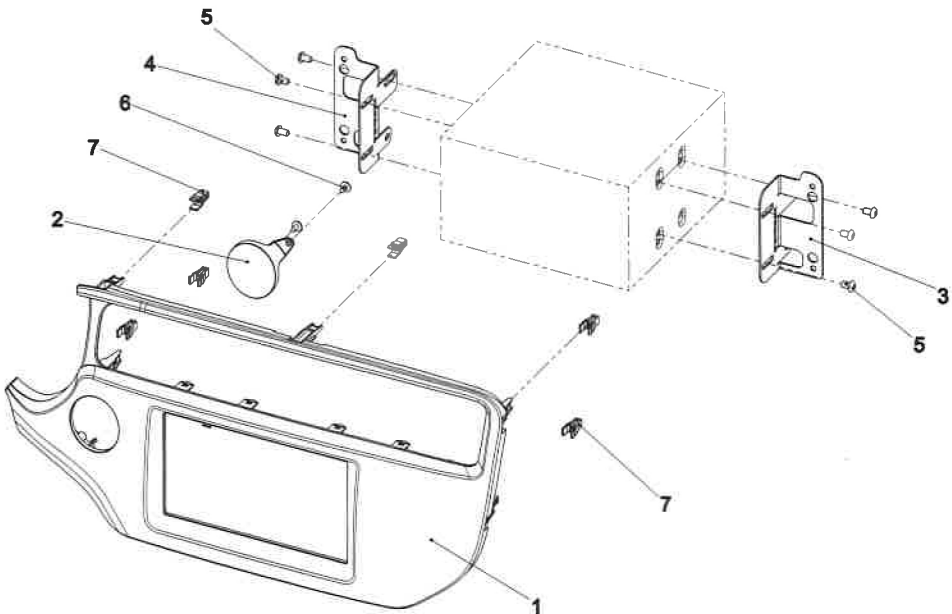
Installation Manual Double DIN Kit

piano-black: 381178-38-1

• Kia Rio (Type UB/facelift) 03/2015->

Compatible with these Double-DIN devices:

Double-DIN Navigation



Double DIN Set contents

- (1) Facia Plate
- (2) Cover* (for models without „start/stop“ button)
- (3) Mounting bracket right
- (4) Mounting bracket left
- (5) flat headed screw
- (6) self-tapping screw with collar
- (7) Clips



10. Mount air vents to new fascia plate



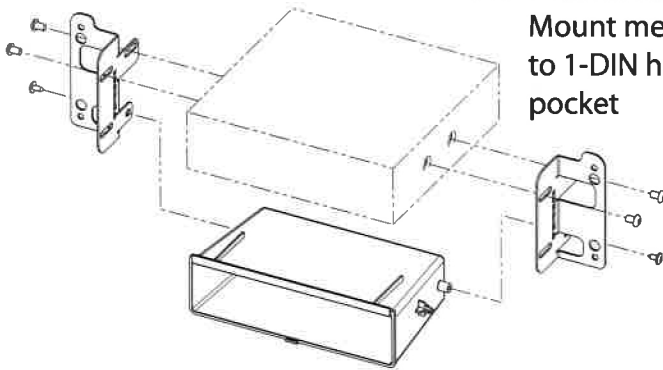
11. **Kia Rio with start/stop:**
Remove start/stop button
Mount start/stop button to new fascia plate

Kia Rio without start/stop:
Attach cover to fascia plate

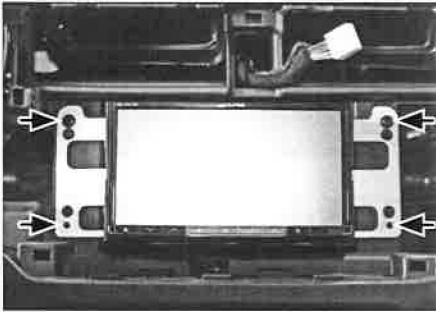


12. Connect all required circuit points

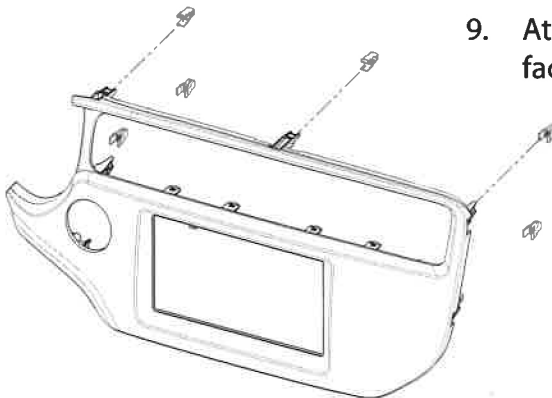
Place fascia plate on dash board



- 7a. *1-DIN head units only:*
Mount metal brackets
to 1-DIN head unit and
pocket



8. Connect all required circuit
points and mount head unit
on dash board using the 4 OEM
screws removed in step (3)



9. Attach Clips to new
facia plate



- Remove air vents from OEM panel



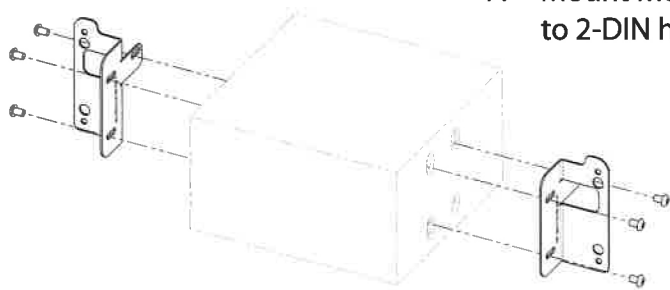
- Remove OEM clips from OEM panel

Mount OEM clips to new facia plate

Mount air vents to new facia plate

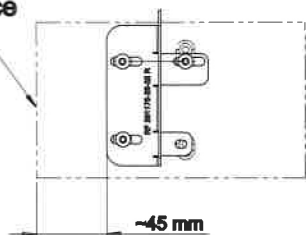


- Mount metal brackets to 2-DIN head unit

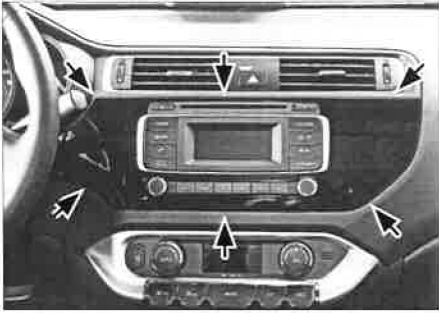


pre-assembly Brackets

Unit front surface



We recommend a distance about 45 mm to the front surface of the 2-DIN head unit

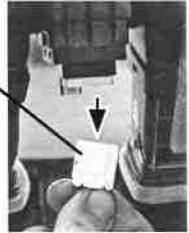


1. Unclip OEM panel (see arrows)



2. Unplug connector of hazard light switch

Remove panel



3. Remove 4 screws of OEM head unit



4. Unplug all cables and connectors carefully

Remove OEM head unit