



Mitsubishi Eclipse Cross (ES models) 2018-2020

Visit MetraOnline.com for more detailed information about the product and up-to-date vehicle specific applications

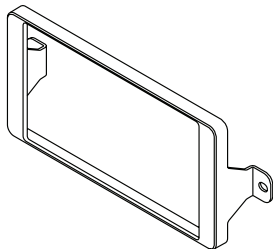
KIT FEATURES

- ISO DDIN radio provision
- Polished gloss surface to match factory finish

KIT COMPONENTS

- A) Radio trim panel • B) Radio brackets

A



B

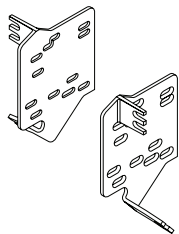


TABLE OF CONTENTS

Dash Disassembly	2
Kit Assembly	3

WIRING & ANTENNA CONNECTIONS (sold separately)

Wiring Harness: Visit metraonline.com for steering wheel and audio/video interfaces

Antenna Adapter: Visit metraonline.com for steering wheel and audio/video interfaces

TOOLS REQUIRED

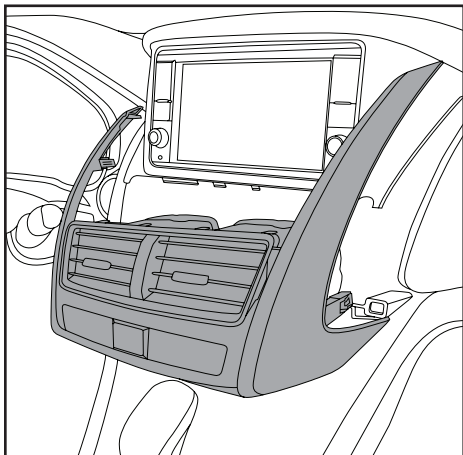
- Panel removal tool • Phillips screwdriver
- 10mm socket wrench

Attention! Let the vehicle sit with the key out of the ignition for a few minutes before removing the factory radio. When testing the aftermarket equipment, ensure that all factory equipment is connected before cycling the key to ignition.

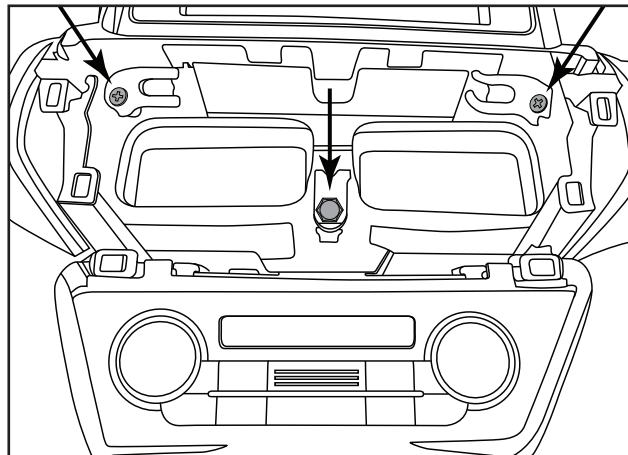
DASH DISASSEMBLY

1. Unsnap and remove the dash panel below the radio including the vents. (Figure A)
2. Remove the shaded (2) Phillips screws and (1) 10mm bolt under the radio, unsnap and remove the radio and dash panel together. (Figure B)
3. Remove (4) Phillips screws to remove the radio from the dash panel.

Continue to Kit Assembly



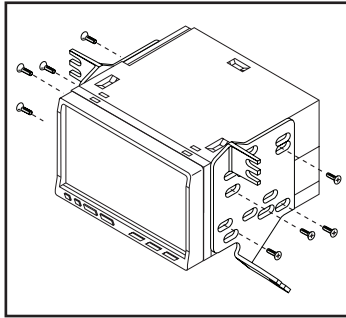
(Figure A)



(Figure B)

KIT ASSEMBLY

1. Attach the **radio trim panel** to the factory dash panel with (2) of the factory screws.
2. Attach the **radio brackets** to the radio using screws supplied with the radio. (Figure A)
3. Attach the radio assembly to the factory dash and secure using the (2) top factory screws.
4. Locate the factory wiring harness and antenna connector in the dash, and complete all necessary connections to the radio. Metra recommends using the proper mating adapter from Metra and/or AXXESS. Re-connect the negative battery terminal and test the radio for proper operation.
5. Secure the entire assembly into the dash using (2) factory screws.
6. Reassemble the dash.



(Figure A)



95-7020
INSTALLATION INSTRUCTIONS



If you are having difficulties with the installation of this product, contact our Tech Support line either by phone at **386-257-1187**, or email at **techsupport@metra-autosound.com**. Before doing so, look over the instruction booklet a second time and ensure that the installation was performed exactly as the instruction booklet is stated. Have the vehicle apart and ready to perform troubleshooting steps before contacting Metra/Axxess Tech Support.



KNOWLEDGE IS POWER

Enhance your installation and fabrication skills by enrolling in the most recognized and respected mobile electronics school in our industry. Log onto www.installerinstitute.com or call 800-354-6782 for more information and take steps toward a better tomorrow.



Metra recommends MECP certified technicians