



Installation instructions for part 99-7624

Nissan Multi-kit 2007-up

(see application list on page 2)

99-7624

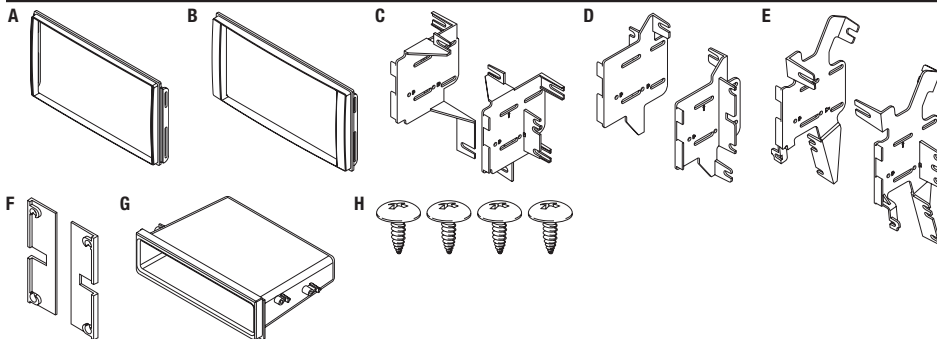


KIT FEATURES

- ISO DIN radio provision with pocket
- ISO DDIN radio provision

KIT COMPONENTS

- A) Radio housing trim panel, standard
- B) Radio housing trim panel, wide
- C) Bracket #1
- D) Bracket #2
- E) Bracket #3
- F) Spacers
- G) Pocket
- H) (4) #8 x 3/8" Phillips screws



WIRING & ANTENNA CONNECTIONS (sold separately)

Wiring Harness: • 70-7552

Antenna Adapter: • 40-NI12

TOOLS REQUIRED

- Panel removal tool
- Phillips screwdriver

CAUTION! All accessories, switches, climate controls panels, and especially air bag indicator lights must be connected before cycling the ignition. Also, do not remove the factory radio with the key in the on position, or while the vehicle is running.

REV 12/14/2016 INST99-7624

Applications

Chevrolet

City Express	2015-up
--------------	---------

Nissan

Cube	2009-2014
Frontier (<i>with 4.3" screen</i>)	2013-up
Juke	2011-up
NV	2012-up
NV200	2013-up
Quest (<i>without NAV or rear seat entertainment</i>)	2011-2016
Rogue	2011-up
Rogue Select	2014
Titan (<i>with 4.3" screen</i>)	2013-2015
Versa	2007-up
Versa Note	2014-up
Xterra (<i>with 4.3" screen</i>)	2013-2015

Table of Contents

Dash Disassembly

Chevrolet

– City Express 2015-up	6
------------------------------	---

Nissan

– Cube 2009-2014	3
– Frontier/Xterra (<i>with 4.3" screen</i>) 2013-up.....	3
– Juke 2011-up.....	4
– NV 2012-up.....	5
– NV200 2013-up.....	6
– Quest (<i>without NAV or rear seat entertainment</i>) 2011-2016	7-8
– Rogue 2011-2013	9
– Rogue Select 2014	9
– Titan (<i>with 4.3" screen</i>) 2013-2015	10
– Versa 2007-2011.....	10
– Versa 2012-up.....	11
– Versa Note 2014-up.....	11
– Xterra (<i>with 4.3" screen</i>) 2013-2015	3

Kit Assembly

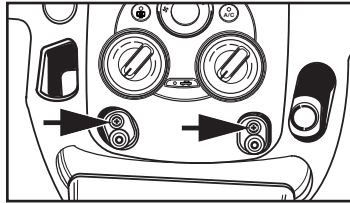
– Radio housing trim panel usage	12
– Bracket tab layouts	13-15
– ISO DIN radio provision with pocket	16
– ISO DDIN radio provision	17

Dash Disassembly

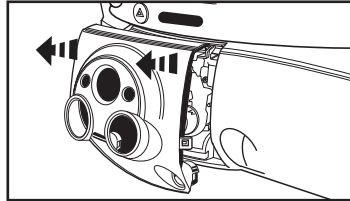
Nissan Cube 2009-2014

1. Remove (2) Phillips screws from the bottom of the a/c trim panel then unclip and remove the panel. (Figure A,B)
2. Remove (2) Phillips screws from the bottom of the radio trim panel then unclip and remove the panel. (Figure C)
3. Remove (4) Phillips screws securing radio to dash to remove.

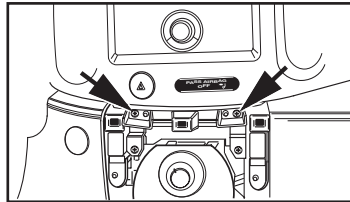
Continue to kit assembly



(Figure A)



(Figure B)



(Figure C)

Nissan Frontier (with 4.3" screen)

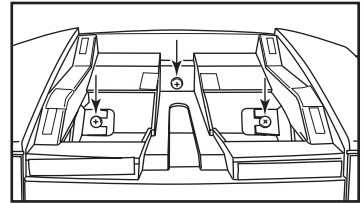
2013-up/

Nissan Xterra (with 4.3" screen)

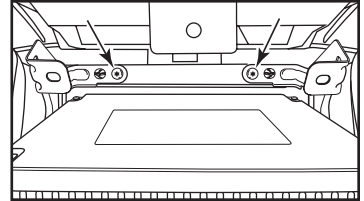
2013-2015

1. Unclip and remove the trim panel above the radio and climate controls. (Figure A)
2. Remove the (1) Phillips screw under panel and the (2) Phillips screws securing the radio brackets to the sub dash. (Figure B)
3. Unclip and remove the entire panel including the climate controls and factory radio.
4. Remove (4) Torx screws securing the radio to the trim panel. (Figure C, D)

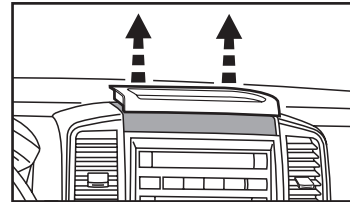
Continue to kit assembly



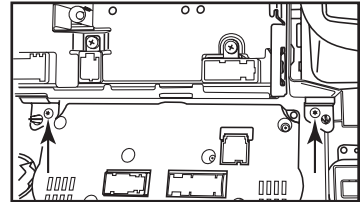
(Figure B)



(Figure C)



(Figure A)



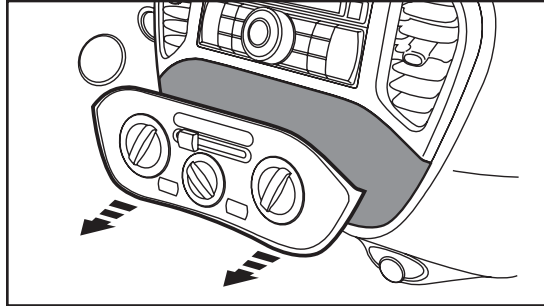
(Figure D)

Dash Disassembly

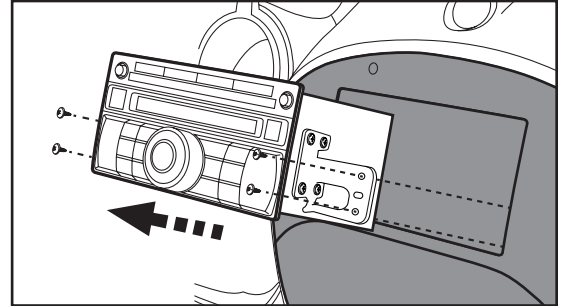
Nissan Juke 2011-up

1. Unclip and remove the climate control panel. (Figure A)
2. Remove (2) Phillips screws securing the radio trim panel. (Figure B)
3. Remove (4) Phillips screws securing radio, unplug and remove radio. (Figure C)

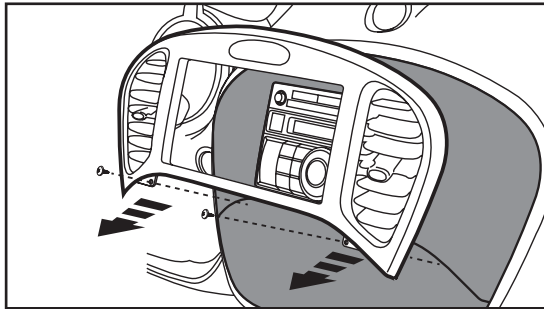
Continue to kit assembly



(Figure A)



(Figure C)

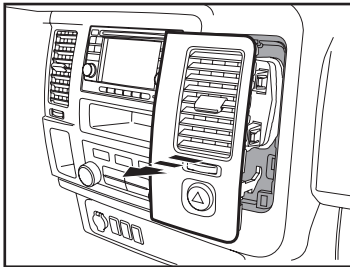


(Figure B)

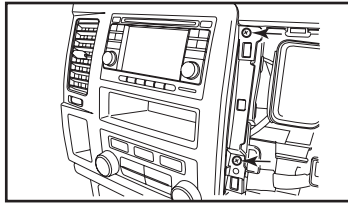
Dash Disassembly

Nissan NV 2012-up

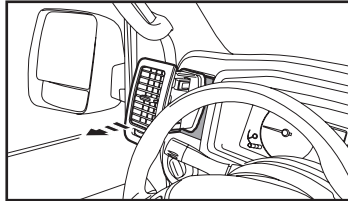
1. Unclip and remove the A/C vent to the right side of the factory radio. (Figure A)
2. Remove the (2) Phillips screws exposed behind vent on radio trim panel. (Figure B)
3. Unclip and remove the left A/C vent next to the instrument display. (Figure C)
4. Unclip the top edge of the knee bolster panel below the steering column and let hang. (Figure D)



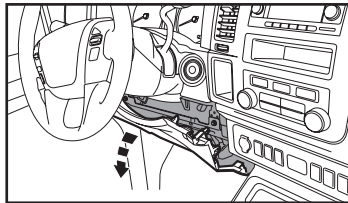
(Figure A)



(Figure B)



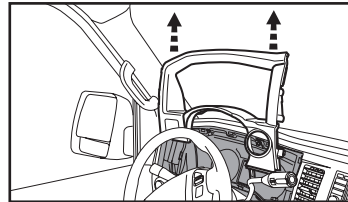
(Figure C)



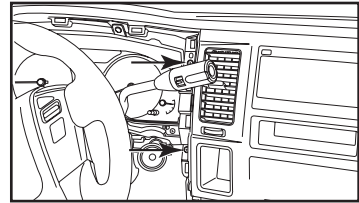
(Figure D)

5. Unclip the circle trim around the key cylinder. (Figure E)
6. Unclip and remove the gauge cluster trim panel. (Figure F)
7. Remove (2) Phillips screws exposed behind the panel on the left side of the radio trim panel. (Figure F)
8. Unclip and remove the trim panel surrounding the factory radio. (Figure G)
9. Remove (4) Phillips screws securing the radio. (Figure H)

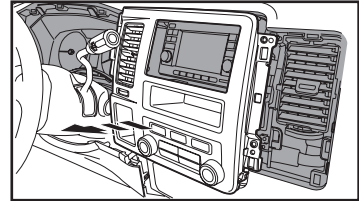
Continue to kit assembly



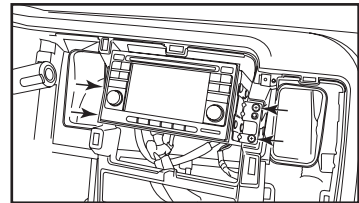
(Figure E)



(Figure F)



(Figure G)



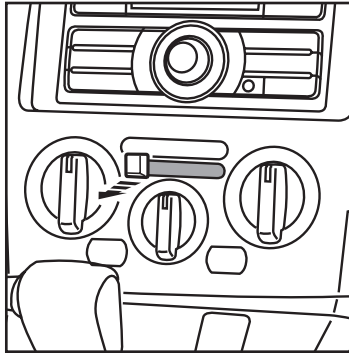
(Figure H)

Dash Disassembly

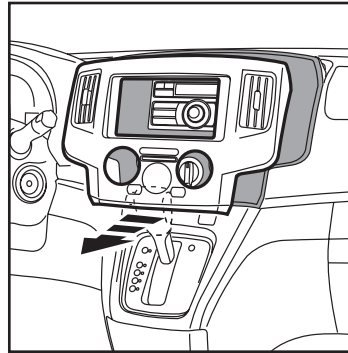
Chevrolet City Express 2015-up/ Nissan NV200 2013-up

1. Unclip and remove the recirculate/fresh slide button. (Figure A)
2. Unclip and remove the entire panel surrounding the radio including the a/c vents. (Figure B)
3. Remove (4) Phillips screws securing the radio. (Figure C)

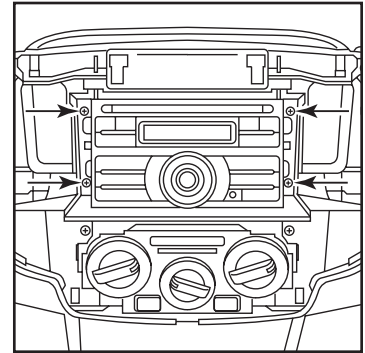
Continue to kit assembly



(Figure A)



(Figure B)

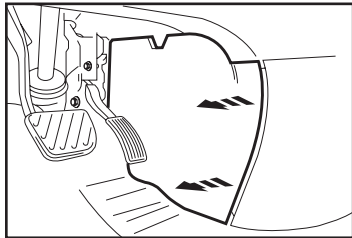


(Figure C)

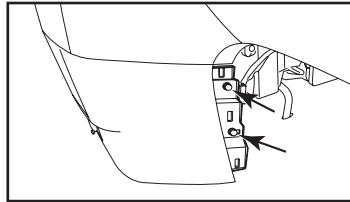
Dash Disassembly

Nissan Quest (without NAV or rear seat entertainment) 2011-2016

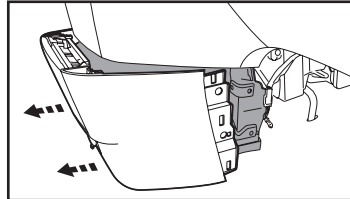
1. Unclip and remove the panels from the bottom left and right side of the center console. (Figure A)
2. Remove (2) clips per side exposed behind lower panels. (Figure B)
3. Unclip and pull center console toward rear of vehicle.
Note: You do not have to fully remove console. (Figure C)
4. Unclip and remove the trim panel to the left of the shifter housing the start/stop button. (Figure D)



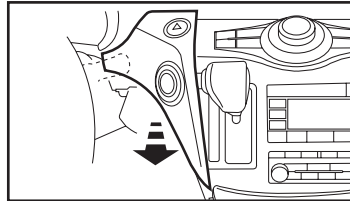
(Figure A)



(Figure B)



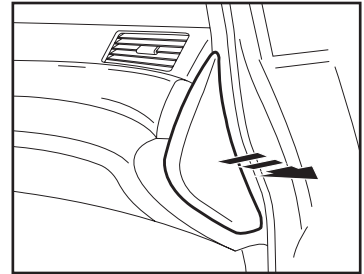
(Figure C)



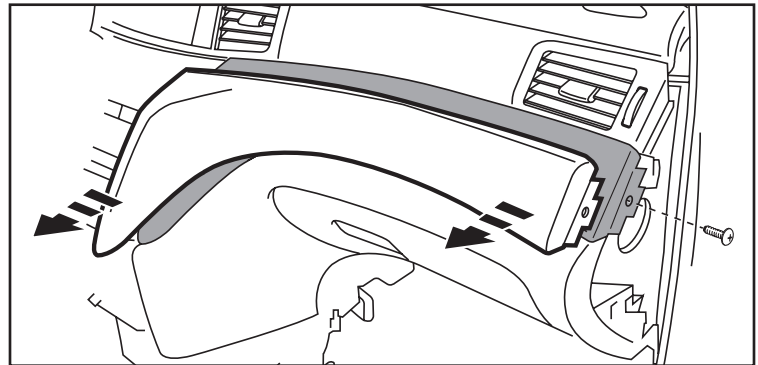
(Figure D)

5. Unclip and remove the panel on the end of the passenger side of the dash. (Figure E)
6. Remove (1) Phillips screw from the trim panel above the glove box then unclip and remove the panel. (Figure F)

Continued on next page



(Figure E)



(Figure F)

Dash Disassembly

Nissan Quest (without NAV or rear seat entertainment) 2011-2016 (Cont)

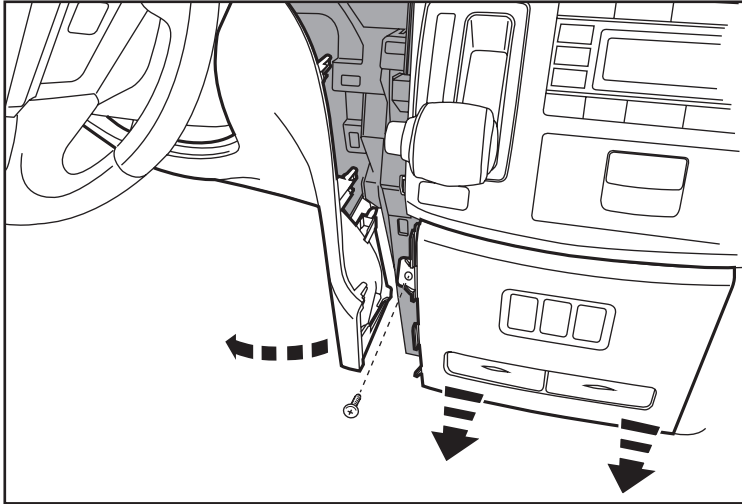
7. Remove (1) Phillips screw from the cup holder panel then unclip and remove the panel. (Figure G)

8. Remove (2) Phillips screws from the a/c control panel and unclip and let hang. (Figure H)

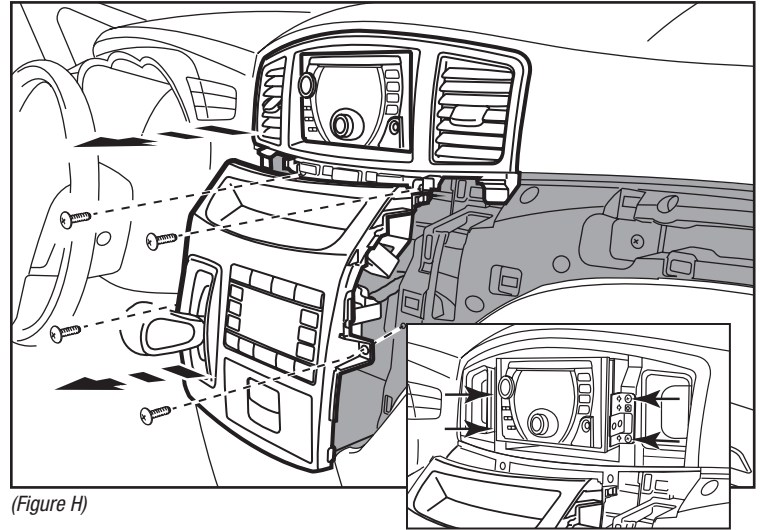
9. Remove (2) Phillips screws from the bottom of the radio trim panel including the vents then unclip and remove the panel. (Figure H)

10. Remove (4) Phillips screws securing the radio. (Figure I)

Continue to Kit Assembly



(Figure G)



(Figure H)

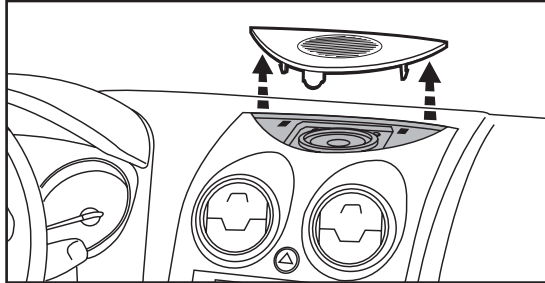
(Figure I)

Dash Disassembly

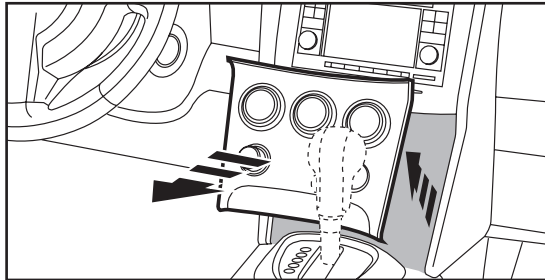
Nissan Rogue 2011-2013/ Nissan Rogue Select 2014

1. **If equipped with center speaker:** Unclip and remove the grille then remove (4) Phillips screws to remove the speaker. (Figure A)
2. Unclip and remove the panel below the radio including the a/c controls. (Figure B)
3. Unclip the radio trim including the a/c vents then unplug the hazard switch and remove the panel. (Figure C)
4. Remove (4) Phillips screws securing the radio. (Figure D)

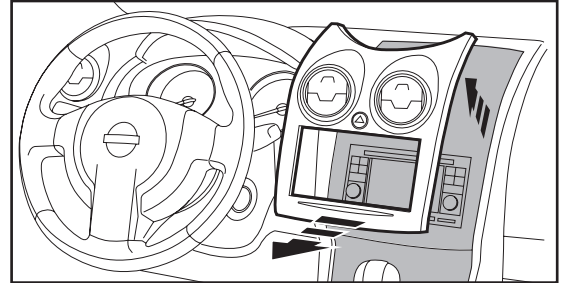
Continue to kit assembly



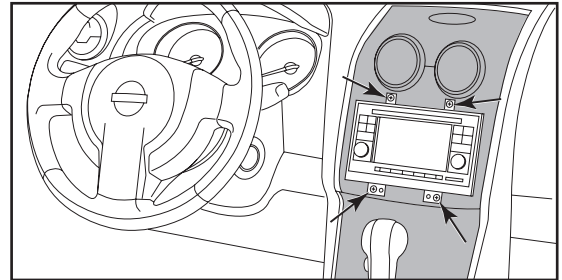
(Figure A)



(Figure B)



(Figure C)



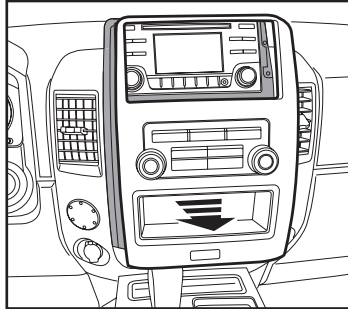
(Figure D)

Dash Disassembly

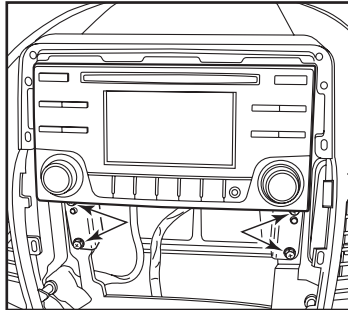
Nissan Titan (with 4.3" screen) 2013-2015

1. Unclip the entire dash panel including the climate controls. Unplug and remove the panel. (Figure A)
2. Remove (4) Phillips screws securing the radio. Unplug and remove the chassis. (Figure B)

Continue to kit assembly



(Figure A)

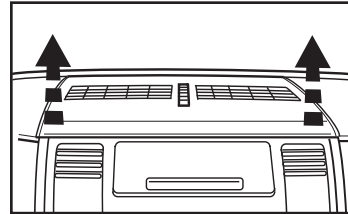


(Figure B)

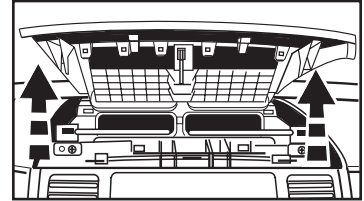
Nissan Versa 2007-2011

1. Unclip and remove the panel above the radio. (Figure A, B)
2. Remove (2) Phillips screws securing the radio trim panel then unclip and remove the entire panel surrounding the radio and A/C controls. (Figure C)
3. Remove (4) Phillips screws securing radio, unplug and remove radio. (Figure D)

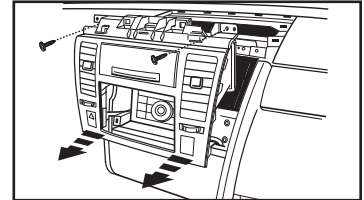
Continue to kit assembly



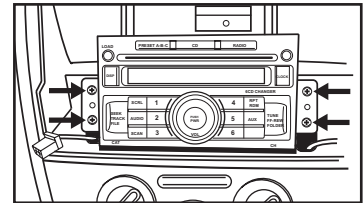
(Figure A)



(Figure B)



(Figure C)



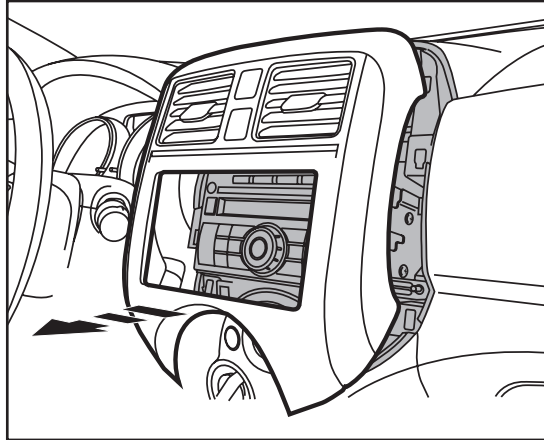
(Figure D)

Dash Disassembly

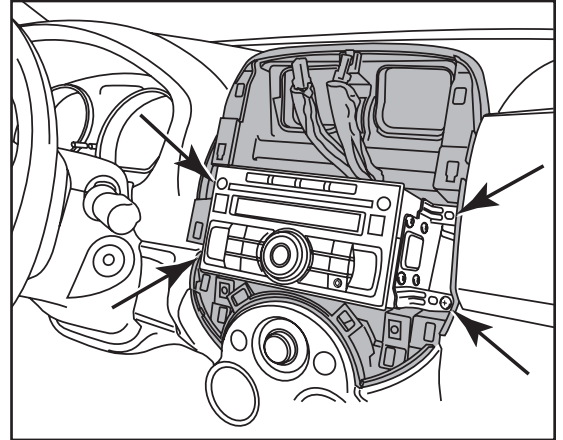
Nissan Versa 2012-up/ Nissan Versa Note 2014-up

1. Unclip and remove the entire panel surrounding the radio including the A/C vents. (Figure A)
2. Remove (4) Phillips screws securing the radio. (Figure B)

Continue to kit assembly



(Figure A)



(Figure B)

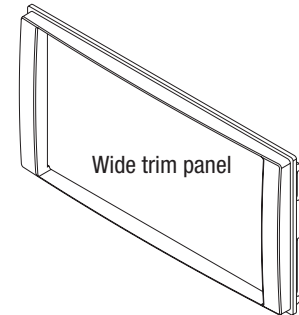
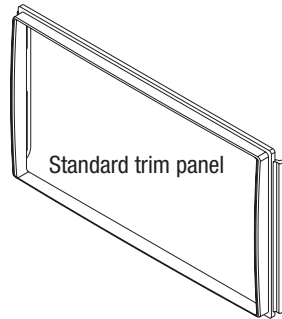
Kit Assembly

Radio housing trim panel usage

Vehicle	Trim panel
Chevrolet City Express (<i>without NAV</i>) 2015-up	Standard
Chevrolet City Express (<i>with NAV</i>) 2015-up	Wide
Nissan Cube 2009-2014	Standard
Nissan Frontier (<i>with 4.3" screen</i>) 2013-up	Wide
Nissan Juke 2011-2014	Standard
Nissan Juke 2015-up	Wide
Nissan NV 2012-2014	Standard
Nissan NV (<i>without NAV</i>) 2015-up	Standard
Nissan NV (<i>with NAV</i>) 2015-up	Wide
Nissan NV200 (<i>without NAV</i>) 2013-up	Standard
Nissan NV200 (<i>with NAV</i>) 2013-up	Wide
Nissan Quest (<i>without NAV or rear seat entertainment</i>) 2011-2012	Standard
Nissan Quest (<i>without NAV or rear seat entertainment</i>) 2013-2016	Wide
Nissan Rogue Select (<i>with lower model radio</i>) 2014	Standard
Nissan Rogue Select (<i>with upper model radio</i>) 2014	Wide

Vehicle	Trim panel
Nissan Rogue S (<i>with Special Edition Package</i>) 2012-2013	Wide
Nissan Rogue SV 2012-2013	Wide
Nissan Rogue S and SV (<i>with SL Package</i>) 2003-2007	Standard
Nissan Rogue 2011	Standard
Nissan Titan (<i>with 4.3" screen</i>) 2013-2015	Wide
Nissan Versa 2007-2011	Standard
Nissan Versa 2012-2013	Standard

Vehicle	Trim panel
Nissan Versa S, S+ and SV (<i>without options</i>) 2014	Standard
Nissan Versa Note 2014	Wide
Nissan Versa SL and SV (<i>with Convenience Package</i>) 2014	Wide
Nissan Versa and Versa Note (<i>all models</i>) 2015-up	Wide
Nissan Xterra (<i>with 4.3" screen</i>) 2013-2015	Wide

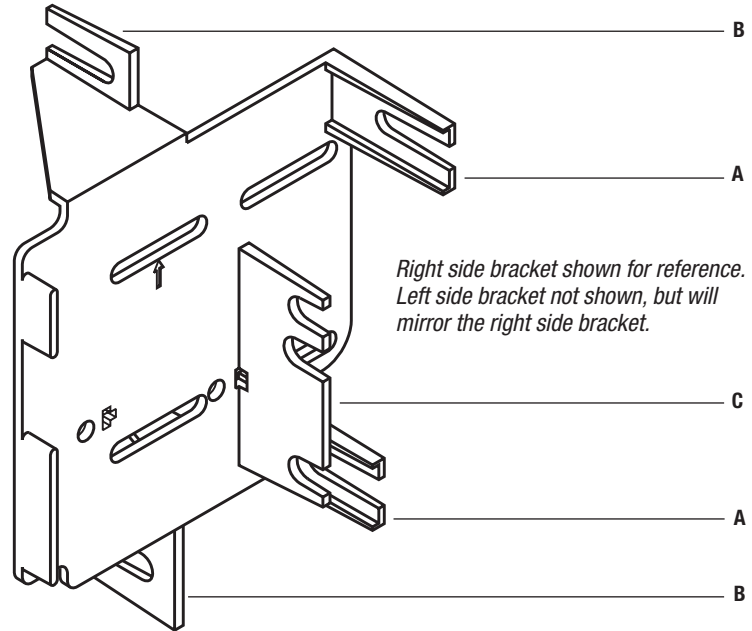


Kit Assembly

Bracket #1 tab layout

Bracket #	Tab	Vehicle
1	A	Versa 2012-up
1	A	Versa Note 2014-up
1	B	Rogue 2011-2013
1	B	Rogue Select 2014
1	C	NV 2012-up
1	C	Quest (without NAV or rear seat entertainment) 2011-2016

Note: It may be necessary to remove all unneeded tabs from the brackets for certain applications. Depending on the application it may also be necessary to trim the entire bracket as close as possible to the radio mounting locations on the brackets.

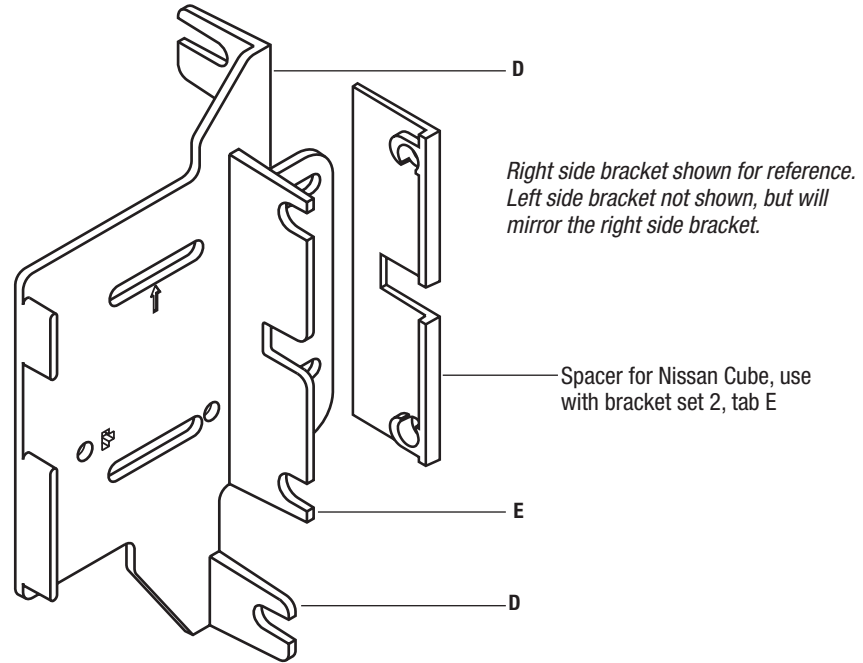


Kit Assembly

Bracket #2 tab layout

Bracket #	Tab	Vehicle
2	E	Chevrolet City Express 2015-up
2	D	Nissan Juke 2011-up
2	E	Nissan NV200 2013-up
2	E	Nissan Cube (use spacers) 2009-2014

Note: It may be necessary to remove all unneeded tabs from the brackets for certain applications. Depending on the application it may also be necessary to trim the entire bracket as close as possible to the radio mounting locations on the brackets.



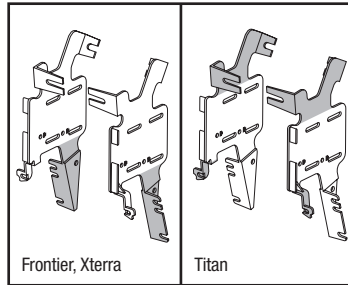
Kit Assembly

Bracket #3 tab layout

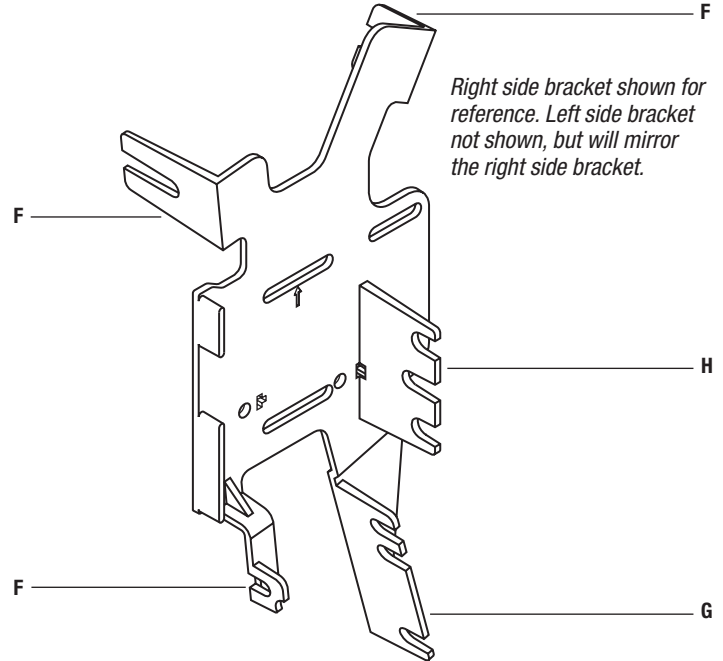
Bracket #	Tab	Vehicle	
3	F	Frontier (with 4.3" screen)	2013-up
3	F	Xterra (with 4.3" screen)	2013-2015
3	G	Titan	2013-2015
3	H	Versa	2007-2011

Note: It may be necessary to remove all unneeded tabs from the brackets for certain applications. Depending on the application it may also be necessary to trim the entire bracket as close as possible to the radio mounting locations on the brackets.

1. Cut and remove the shaded area of the brackets for the 2013-up Frontier and Xterra. (Figure A)
2. Cut and remove the shaded area of the brackets for the Titan 2013-2015. (Figure A)



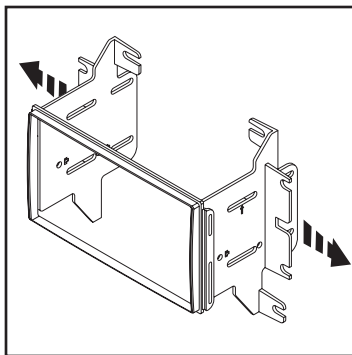
(Figure A)



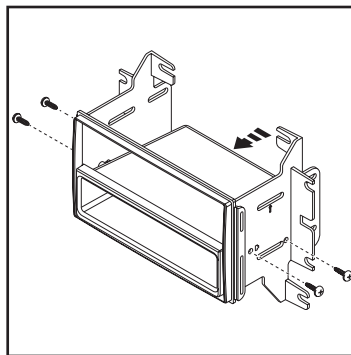
Kit Assembly

ISO DIN radio provision with pocket

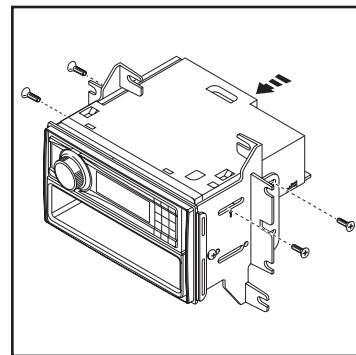
1. Attach your corresponding bracket to the radio housing trim panel.
(Bracket #2 with the standard radio trim panel shown) (Figure A)
2. Mount the pocket to the bracket/panel assembly with the (4) #8 x 3/8" Phillips screws supplied. (Figure B)
3. Slide the radio into the assembly and secure with screws supplied with the radio. (Figure C)
4. Locate the factory wiring harness and antenna plug in the dash. Metra recommends using the proper mating adapters from Metra and/or AXCESS.
5. Mount the new radio assembly into the dash and reassemble dash in reverse order of disassembly.



(Figure A)



(Figure B)

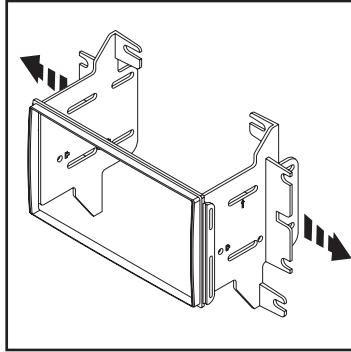


(Figure C)

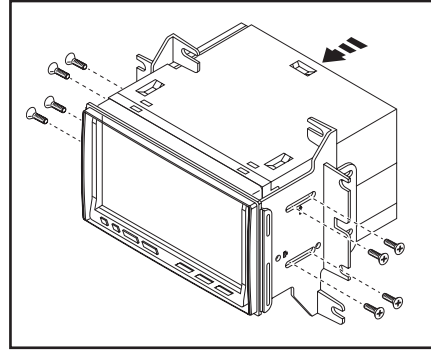
Kit Assembly

ISO DDIN radio provision

1. Attach your corresponding bracket to the radio housing trim panel. *(Bracket #2 with the standard radio trim panel shown)* (Figure A)
2. Slide the radio into the assembly and secure with screws supplied with the radio. (Figure B)
3. Locate the factory wiring harness and antenna plug in the dash. Metra recommends using the proper mating adapters from Metra and/or AXCESS.
4. Mount the new radio assembly into the dash and reassemble dash in reverse order of disassembly.



(Figure A)



(Figure B)



99-7624

Notes



99-7624

Notes

<hr/> <hr/> <hr/> <hr/> <hr/> <hr/> <hr/> <hr/> <hr/> <hr/> <hr/> <hr/> <hr/> <hr/> <hr/> <hr/>	<hr/> <hr/> <hr/> <hr/> <hr/> <hr/> <hr/> <hr/> <hr/> <hr/> <hr/> <hr/> <hr/> <hr/> <hr/> <hr/>
---	---



Installation instructions for part 99-7624



REV 12/14/2016 INST99-7624

IMPORTANT

If you are having difficulties with the installation of this product, please call our Tech Support line at **1-800-253-TECH**. Before doing so, look over the instructions a second time, and make sure the installation was performed exactly as the instructions are stated. Please have the vehicle apart and ready to perform troubleshooting steps before calling.



KNOWLEDGE IS POWER

Enhance your installation and fabrication skills by enrolling in the most recognized and respected mobile electronics school in our industry. Log onto www.installerinstitute.com or call 800-354-6782 for more information and take steps toward a better tomorrow.



**Metra recommends MECP
certified technicians**



Instrucciones de instalación para la pieza 99-7624

Nissan Multi-kit 2007 y mas

(ver la lista de aplicaciones de la página 2)

99-7624

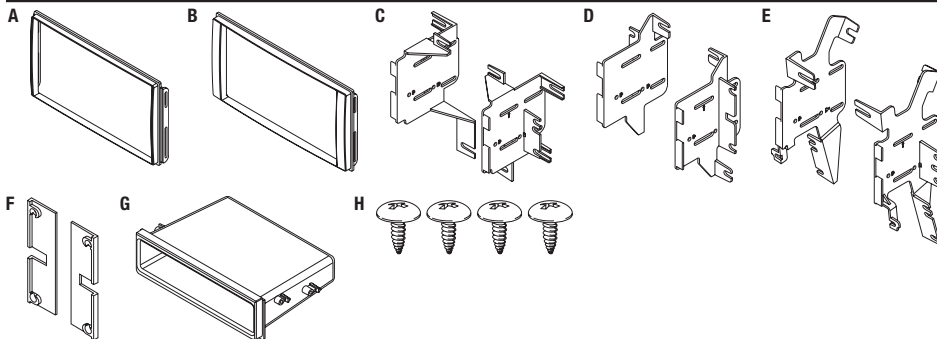


CARACTERÍSTICAS DEL KIT

- Provisión de radio ISO DIN con cavidad
- Provisión de radio ISO DDIN

COMPONENTES DEL KIT

- A) Panel de moldura para la carcasa del radio, estándar • B) Panel de moldura para la carcasa del radio, ancho
- C) Soporte #1 • D) Soporte #2 • E) Soporte #3 • F) Espaciadores • G) Cavidad • H) (4) tornillos Phillips #8 de 3/8"



REV 12/14/2016 INST99-7624

CABLEADO Y CONEXIONES DE ANTENA

(se venden por separado)

Arnés de cables: • 70-7552

Adaptador de antena: • 40-NI12

HERRAMIENTAS REQUERIDAS

- Herramienta para quitar paneles
- Destornillador Phillips

¡PRECAUCIÓN! Todos los accesorios, interruptores, paneles de controles de clima y especialmente las luces del indicador de las bolsas de aire deben estar conectados antes de ciclar la ignición. Además, no quite el radio de fábrica con la llave en la posición o de encendido ni con el vehículo funcionando.

Aplicaciones

Chevrolet

City Express	2015 y mas
--------------	------------

Nissan

Cube	2009-2014
Frontier (con pantalla de 4.3")	2013 y mas
Juke	2011 y mas
NV	2012 y mas
NV200	2013 y mas
Quest (sin NAV o entretenimiento para el asiento trasero)	2011-2016
Rogue	2011 y mas
Rogue Select	2014
Titan (con pantalla de 4.3")	2013-2015
Versa	2007 y mas
Versa Note	2014 y mas
Xterra (con pantalla de 4.3")	2013-2015

Indice

Desmontaje del tablero

Chevrolet

– City Express 2015 y mas	6
---------------------------------	---

Nissan

– Cube 2009-2014	3
– Frontier/Xterra (con pantalla de 4.3") 2013 y mas	3
– Juke 2011 y mas	4
– NV 2012 y mas	5
– NV200 2013 y mas	6
– Quest (sin NAV o entretenimiento para el asiento trasero) 2011-2016	7-8
– Rogue 2011-2013	9
– Rogue Select 2014	9
– Titan (con pantalla de 4.3") 2013-2015	10
– Versa 2007-2011	10
– Versa 2012 y mas	11
– Versa Note 2014 y mas	11
– Xterra (con pantalla de 4.3") 2013-2015	3

Ensamble del kit

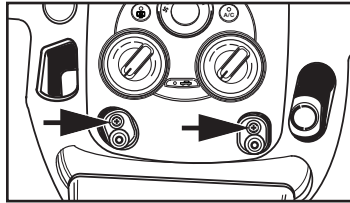
– Aplicaciones de la placa de la moldura	12
– Diseños de la ficha Soporte	13-15
– Provisión de radio ISO DIN con cavidad	16
– Provisión de radio ISO DDIN	17

Desmontaje del tablero

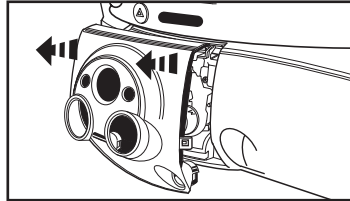
Nissan Cube 2009-2014

1. Quite los (2) tornillos Phillips de la parte inferior del panel de la moldura del aire acondicionado y luego desenganche y retire el panel. (Figura A,B)
2. Quite los (2) tornillos Phillips de la parte inferior del panel de la moldura del radio y luego desenganche y retire el panel. (Figura C)
3. Quite los (4) tornillos Phillips que sujetan el radio al tablero y retire.

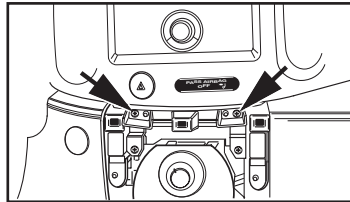
Continúe con el ensamble del kit



(Figura A)



(Figura B)



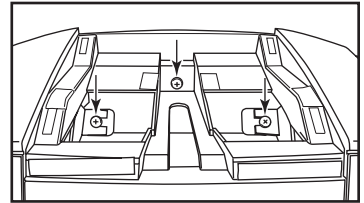
(Figura C)

Nissan Frontier (con pantalla de 4.3") 2013 y mas/

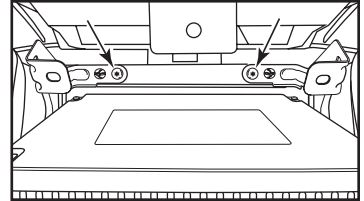
Nissan Xterra (con pantalla de 4.3") 2013-2015

1. Desenganche y quite el panel de moldura de arriba del radio y los controles del clima. (Figura A)
2. Quite el tornillo Phillips (1) de debajo del panel y los (2) tornillos Phillips que sujetan los soportes del radio al sub tablero. (Figura B)
3. Desenganche y quite todo el panel, incluyendo los controles del clima y el radio de fábrica.
4. Quite los (4) tornillos Torx que sujetan el radio al panel de la moldura. (Figura C, D)

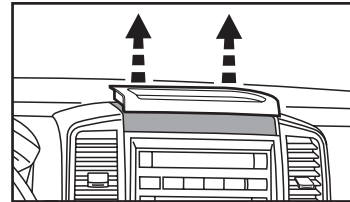
Continúe con el ensamble del kit



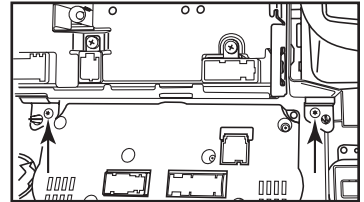
(Figura B)



(Figura C)



(Figura A)



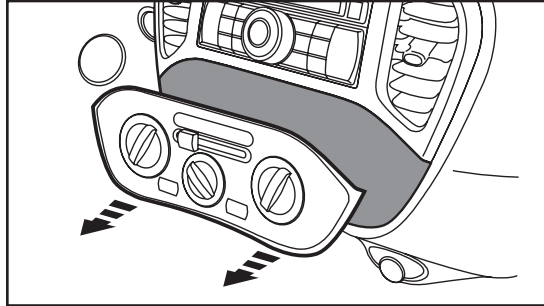
(Figura D)

Desmontaje del tablero

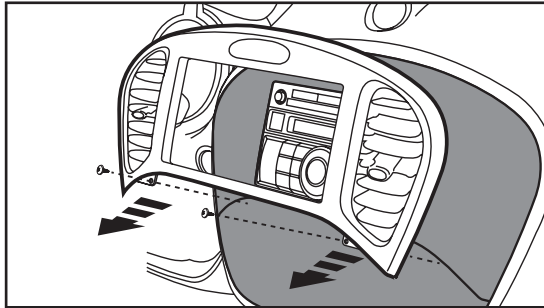
Nissan Juke 2011 y mas

1. Desenganche y quite el panel del control del clima. (Figura A)
2. Quite los (2) tornillos Phillips que sujetan el panel de la moldura del radio. (Figura B)
3. Quite los (4) tornillos Phillips que sostienen el radio, desconecte y quite el radio. (Figura C)

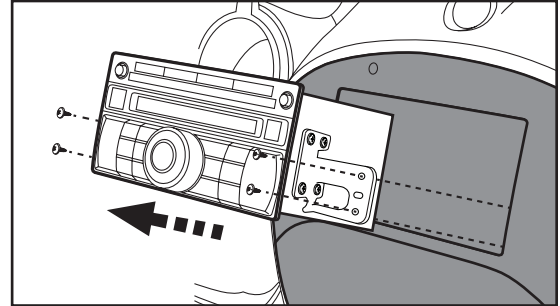
Continúe con el ensamble del kit



(Figura A)



(Figura B)

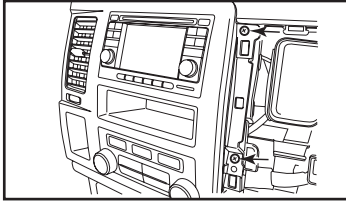


(Figura C)

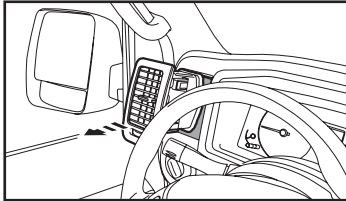
Desmontaje del tablero

Nissan NV 2012 y mas

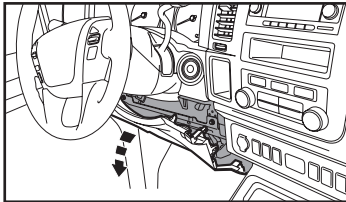
1. Desenganche y quite la rejilla del aire acondicionado que está a la derecha del radio de fábrica. (Figura A)
2. Quite los (2) tornillos Phillips que quedan a la vista detrás de la rejilla en el panel de moldura del radio. (Figura B)
3. Desenganche y quite la rejilla del aire acondicionado que está a la izquierda de la pantalla de instrumentos. (Figura C)
4. Desenganche el borde de arriba del panel del refuerzo para rodillas de abajo de la columna de dirección y déjelo colgando. (Figura D)



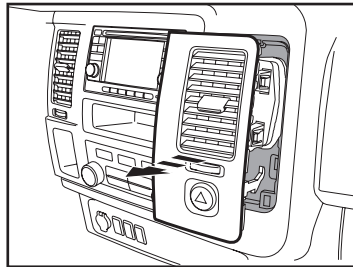
(Figura B)



(Figura C)



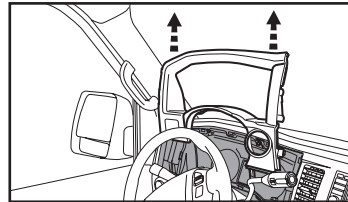
(Figura D)



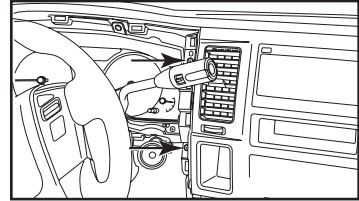
(Figura A)

5. Desenganche la moldura circular alrededor del cilindro de la llave. (Figura E)
6. Desenganche y quite el panel de la moldura del conjunto de indicadores. (Figura F)
7. Quite los (2) tornillos Phillips que quedan a la vista atrás del panel del lado izquierdo del panel de la moldura del radio. (Figura F)
8. Desenganche y retire el panel de moldura que rodea el radio de fábrica. (Figura G)
9. Retire los (4) tornillos Phillips que sostienen el radio. (Figura H)

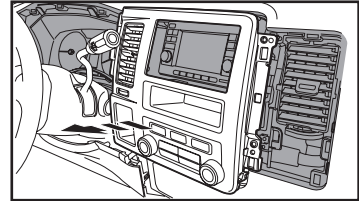
Continúe con el ensamble del kit



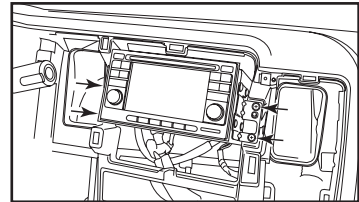
(Figura E)



(Figura F)



(Figura G)



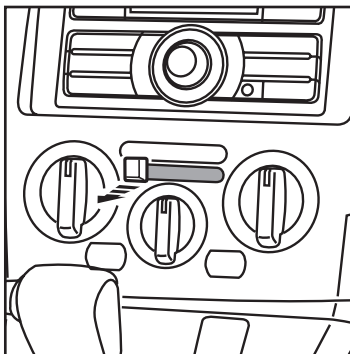
(Figura H)

Desmontaje del tablero

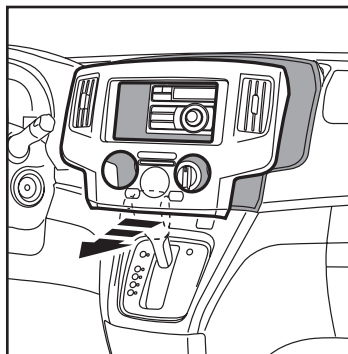
Chevrolet City Express 2015 y mas/ Nissan NV200 2013 y mas

1. Desenganche y quite el botón deslizante de recircular/aire fresco. (Figura A)
2. Desenganche y quite todo el panel de moldura que rodea la pantalla, incluyendo los controles del aire acondicionado. (Figura B)
3. Retire los (4) tornillos Phillips que sostienen el radio. (Figura C)

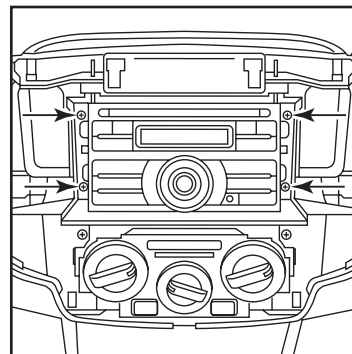
Continúe con el ensamble del kit



(Figura A)



(Figura B)

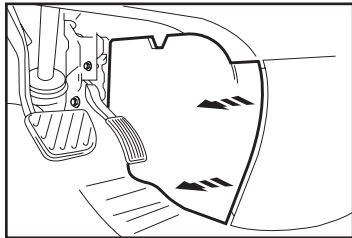


(Figura C)

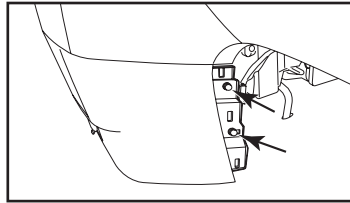
Desmontaje del tablero

Nissan Quest (sin NAV o entretenimiento para el asiento trasero) **2011-2016**

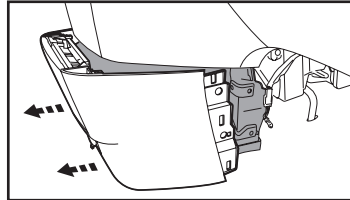
1. Desenganche y quite los paneles de la parte izquierda y derecha de abajo de la consola central. (Figura A)
2. Quite los (2) ganchos de cada lado que quedan a la vista detrás de los paneles de abajo. (Figura B)
3. Desenganche y jale la consola central hacia la parte de atrás del vehículo.
Nota: No es necesario quitar completamente la consola. (Figura C)
4. Desenganche y quite el panel de la moldura del lado izquierdo de la palanca



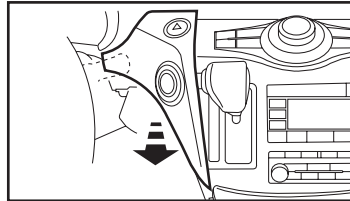
(Figura A)



(Figura B)



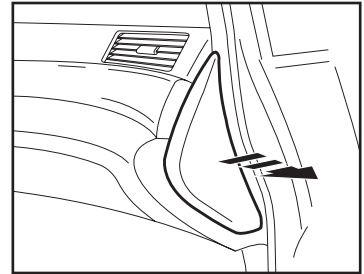
(Figura C)



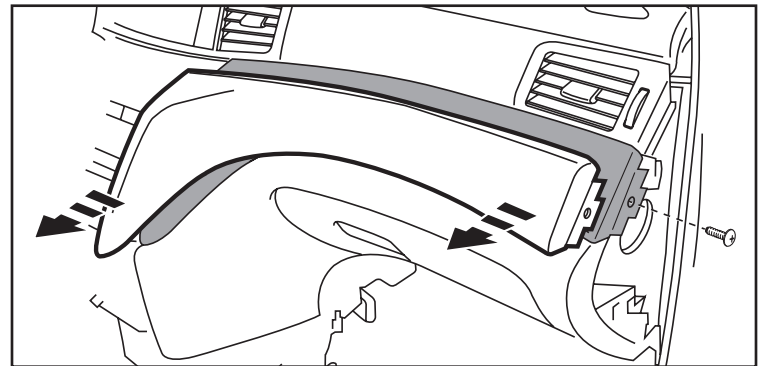
(Figura D)

de velocidades donde se encuentra el botón de inicio/paro. (Figura D)

5. Desenganche y quite el panel que está al final del lado del pasajero en el tablero. (Figura E)
6. Quite (1) tornillo Phillips del panel de la moldura que está arriba de la guantera, luego desenganche y quite el panel. (Figura F)



(Figura E)



(Figura F)

Continúa en la siguiente página

Desmontaje del tablero

Nissan Quest (sin NAV o entretenimiento para el asiento trasero) **2011-2016**

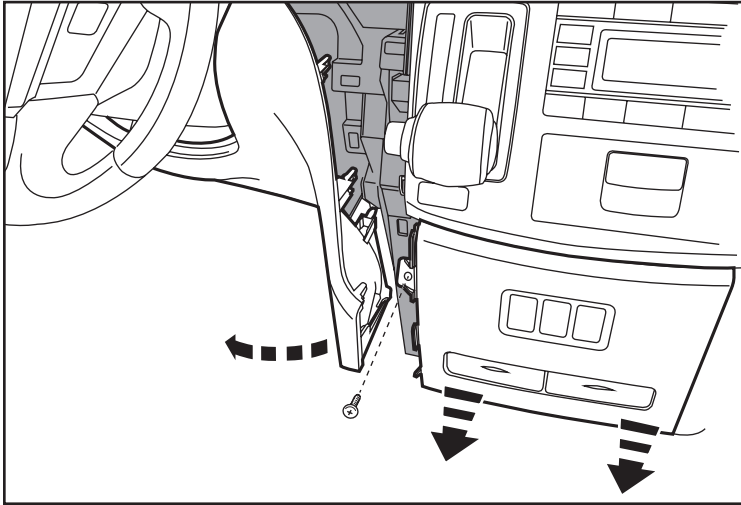
7. Quite (1) tornillo Phillips del panel de la moldura del portavasos, luego desenganche y quite el panel. (Figura G)

8. Quite los (2) tornillos Phillips del panel de control del aire acondicionado y desenganche y déjelo colgando. (Figura H)

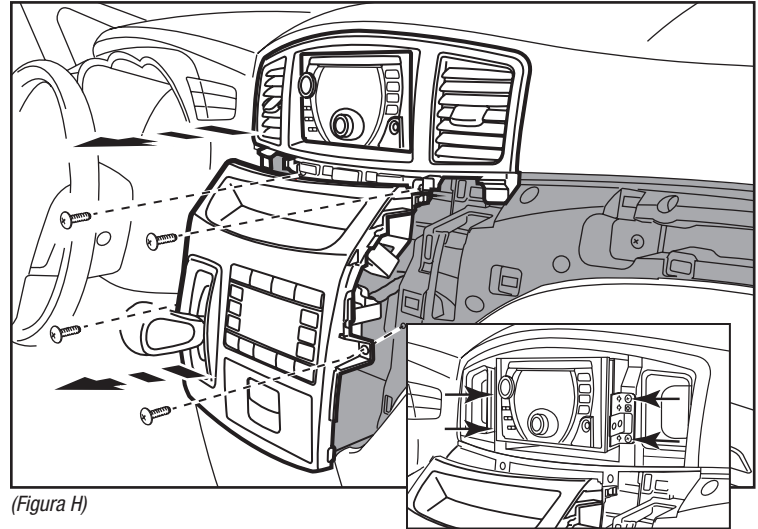
9. Quite los (2) tornillos Phillips de la parte de abajo del panel de la moldura del radio, incluyendo las rejillas, luego desenganche y quite el panel. (Figura H)

10. Retire los (4) tornillos Phillips que sostienen el radio. (Figura I)

Continúe con el ensamble del kit



(Figura G)



(Figura H)

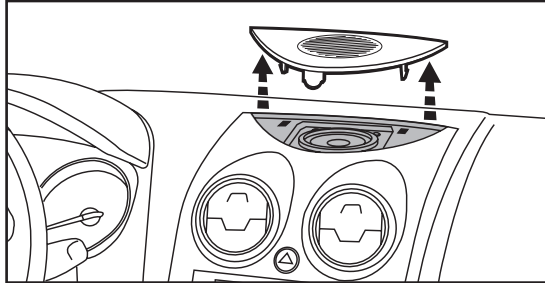
(Figura I)

Desmontaje del tablero

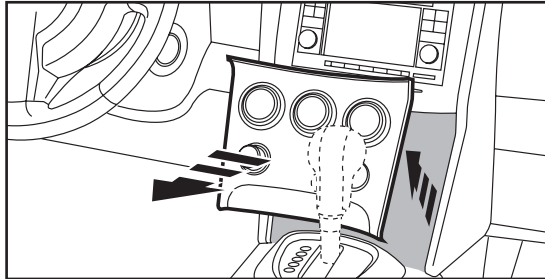
**Nissan Rogue 2011-2013/
Nissan Rogue Select 2014**

1. **Si está equipado con bocina central:** Desenganche y quite la rejilla, luego quite los (4) tornillos Phillips para quitar la bocina. (Figura A)
2. Desenganche y quite el panel de abajo del radio, incluyendo los controles del aire acondicionado. (Figura B)
3. Desenganche la moldura del radio, incluyendo las rejillas del aire acondicionado, luego desconecte el interruptor de las luces intermitentes y quite el panel. (Figura C)
4. Retire los (4) tornillos Phillips que sostienen el radio. (Figura D)

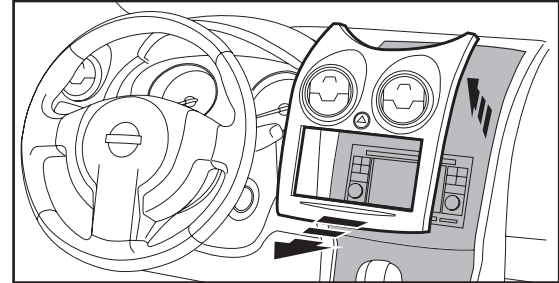
Continúe con el ensamble del kit



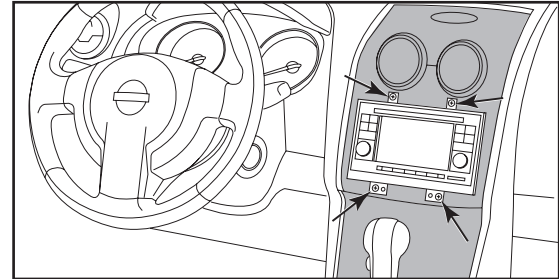
(Figura A)



(Figura B)



(Figura C)



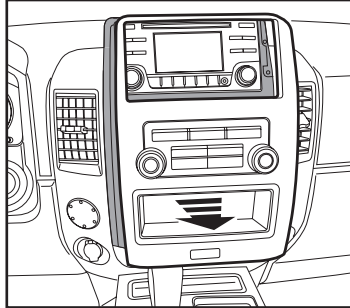
(Figura D)

Desmontaje del tablero

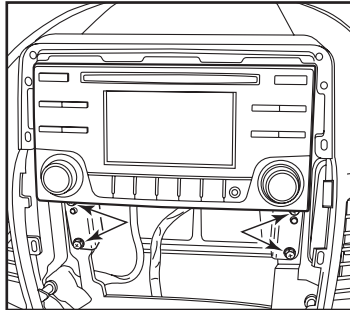
Nissan Titan (con pantalla de 4.3") 2013-2015

1. Desenganche todo el panel del tablero, incluyendo los controles del clima. Desconecte y quite el panel. (Figura A)
2. Retire los (4) tornillos Phillips que sostienen el radio. Desconecte y quite el chasis. (Figura B)

Continúe con el ensamble del kit



(Figura A)

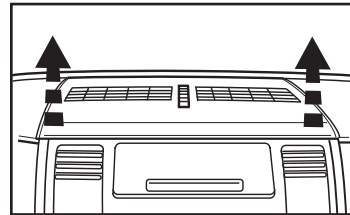


(Figura B)

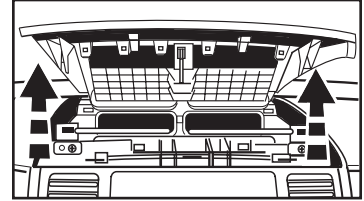
Nissan Versa 2007-2011

1. Desenganche y quite el panel de arriba del radio. (Figura A, B)
2. Quite los (2) tornillos Phillips que sostienen el panel de la moldura del radio y luego desenganche y quite todo el panel que rodea el radio y los controles del aire acondicionado. (Figura C)
3. Quite los (4) tornillos Phillips que sostienen el radio, desconecte y quite el radio. (Figura D)

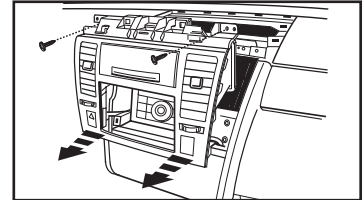
Continúe con el ensamble del kit



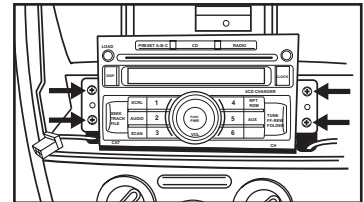
(Figura A)



(Figura B)



(Figura C)



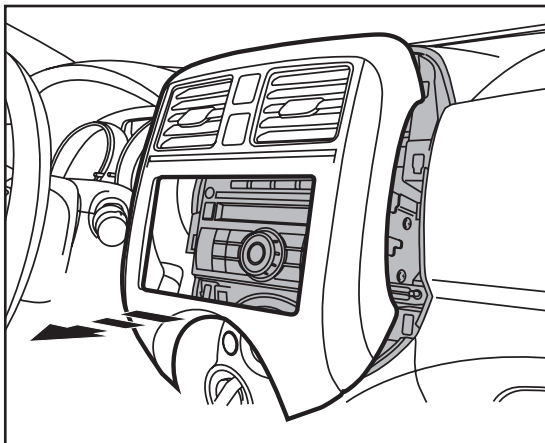
(Figura D)

Desmontaje del tablero

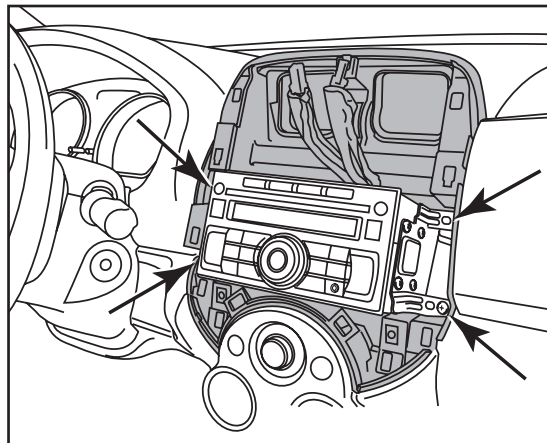
**Nissan Versa 2012 y mas/
Nissan Versa Note 2014 y mas**

1. Desenganche y quite todo el panel que rodea el radio, incluyendo las rejillas del aire acondicionado. (Figura A)
2. Retire los (4) tornillos Phillips que sostienen el radio. (Figura B)

Continúe con el ensamble del kit



(Figura A)



(Figura B)

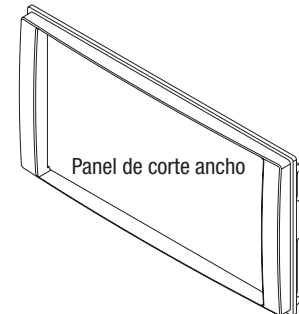
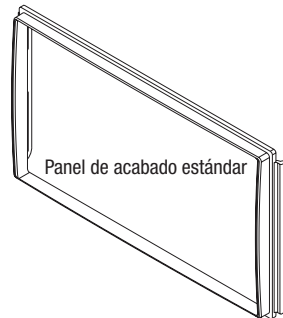
Ensamble del kit

Uso del panel de recubrimiento de la caja de radio

Vehículo	Panel de moldura
Chevrolet City Express (<i>sin NAV</i>) 2015 y mas	Estándar
Chevrolet City Express (<i>con NAV</i>) 2015 y mas	Amplio
Nissan Cube 2009-2014	Estándar
Nissan Frontier (<i>con pantalla de 4.3"</i>) 2013 y mas	Amplio
Nissan Juke 2011-2014	Estándar
Nissan Juke 2015 y mas	Amplio
Nissan NV 2012-2014	Estándar
Nissan NV (<i>sin NAV</i>) 2015 y mas	Estándar
Nissan NV (<i>con NAV</i>) 2015 y mas	Amplio
Nissan NV200 (<i>sin NAV</i>) 2013 y mas	Estándar
Nissan NV200 (<i>con NAV</i>) 2013 y mas	Amplio
Nissan Quest (<i>sin NAV o entretenimiento para el asiento trasero</i>) 2011-2012	Estándar
Nissan Quest (<i>sin NAV o entretenimiento para el asiento trasero</i>) 2013-2016	Amplio
Nissan Rogue Select (<i>con la radio modelo más baja</i>) 2014	Estándar
Nissan Rogue Select (<i>con radio modelo superior</i>) 2014	Amplio

Vehículo	Panel de moldura
Nissan Rogue S (<i>con paquete de edición especial</i>) 2012-2013	Amplio
Nissan Rogue SV 2012-2013	Amplio
Nissan Rogue S and SV (<i>con paquete SL</i>) 2003-2007	Estándar
Nissan Rogue 2011	Estándar
Nissan Titan (<i>con pantalla de 4.3"</i>) 2013-2015	Amplio
Nissan Versa 2007-2011	Estándar

Vehículo	Panel de moldura
Nissan Versa 2012-2013	Estándar
Nissan Versa S, S+ and SV (<i>sin opciones</i>) 2014	Estándar
Nissan Versa Note 2014	Amplio
Nissan Versa SL and SV (<i>con paquete de conveniencia</i>) 2014	Amplio
Nissan Versa and Versa Note (<i>todos los modelos</i>) 2015 y mas	Amplio
Nissan Xterra (<i>con pantalla de 4.3"</i>) 2013-2015	Amplio

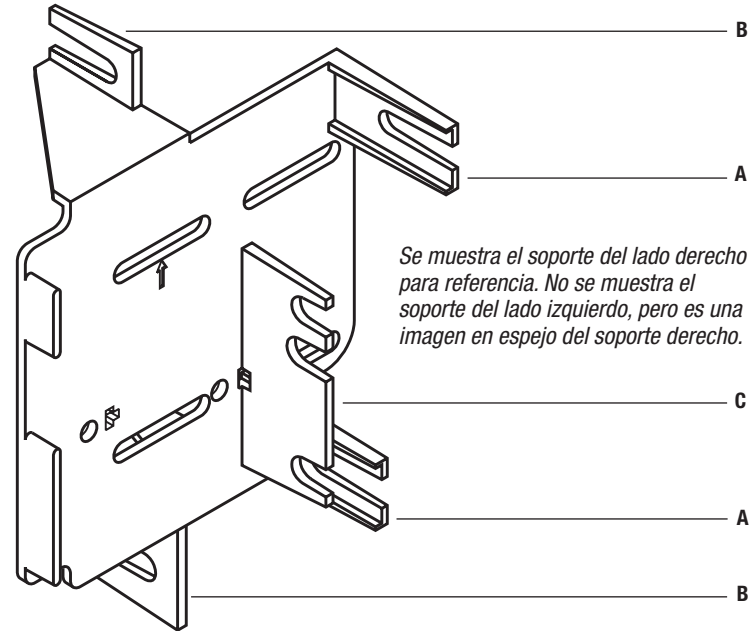


Ensamble del kit

Disposición de la pestaña del soporte #1

Soporte #	#Pestaña	Vehículo	
1	A	Versa	2012 y mas
1	A	Versa Note	2014 y mas
1	B	Rogue	2011-2013
1	B	Rogue Select	2014
1	C	NV	2012 y mas
1	C	Quest (sin NAV o entretenimiento para el asiento trasero)	2011-2016

Nota: Puede ser necesario retirar todas las pestañas no necesarias de los soportes para ciertas aplicaciones. Dependiendo de la aplicación, también puede ser necesario cortar todo el soporte tan cerca como sea posible a los sitios de montaje del radio en los soportes.

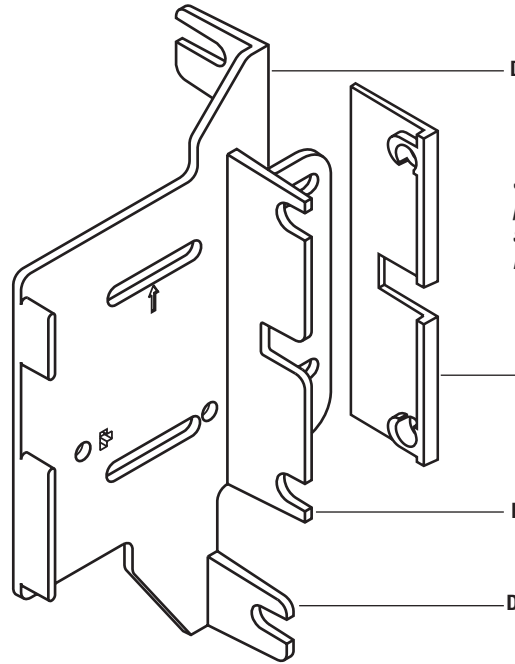


Ensamble del kit

Disposición de la pestaña del soporte #2

Soporte #	Pestaña #	Vehículo	
2	E	Chevrolet City Express	2015 y mas
2	D	Nissan Juke	2011 y mas
2	E	Nissan NV200	2013 y mas
2	E	Nissan Cube (use espaciadores)	2009-2014

Nota: Puede ser necesario retirar todas las pestañas no necesarias de los soportes para ciertas aplicaciones. Dependiendo de la aplicación, también puede ser necesario cortar todo el soporte tan cerca como sea posible a los sitios de montaje del radio en los soportes.



Se muestra el soporte del lado derecho para referencia. No se muestra el soporte del lado izquierdo, pero es una imagen en espejo del soporte derecho.

Espaciador para Nissan Cube, úselo con el juego de soportes 2, pestaña E

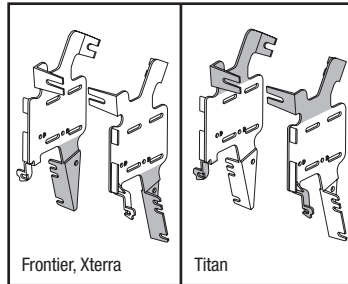
Ensamble del kit

Disposición de la pestaña del soporte #3

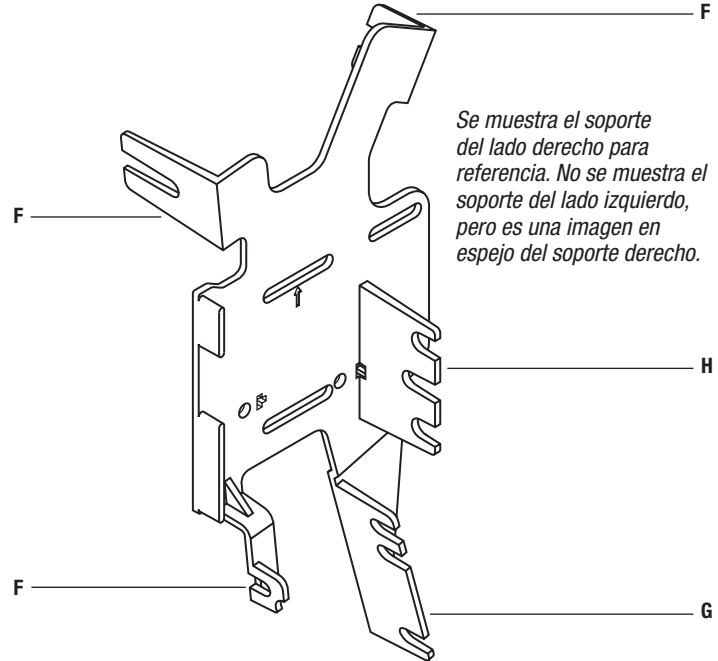
Soporte #	Pestaña #	Vehículo
3	F	Frontier (con pantalla de 4.3") 2013 y mas
3	F	Xterra (con pantalla de 4.3") 2013-2015
3	G	Titan 2013-2015
3	H	Versa 2007-2011

Nota: Puede ser necesario retirar todas las pestañas no necesarias de los soportes para ciertas aplicaciones. Dependiendo de la aplicación, también puede ser necesario cortar todo el soporte tan cerca como sea posible a los sitios de montaje del radio en los soportes.

1. Corte y quite el área sombreada de los soportes para Frontier y Xterra 2013 y más recientes. (Figura A)
2. Corte y quite el área sombreada de los soportes para la Titan 2013-2015 más recientes. (Figura A)



(Figura A)

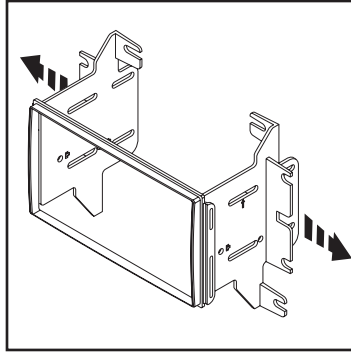


Se muestra el soporte del lado derecho para referencia. No se muestra el soporte del lado izquierdo, pero es una imagen en espejo del soporte derecho.

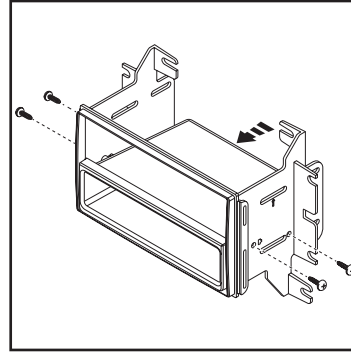
Ensamble del kit

Provisión de radio ISO DIN con cavidad

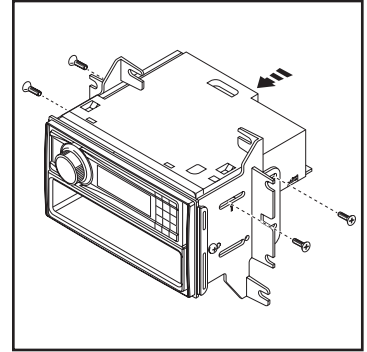
1. Una el soporte correspondiente al panel de la moldura de la carcasa del radio. (Se muestra el soporte #2 con el panel de la moldura del radio estándar) (Figura A)
2. Monte la cavidad en el ensamble del soporte/panel con los (4) tornillos Phillips #8 x 3/8" suministrados. (Figura B)
3. Deslice el radio en el conjunto del soporte y sujételo con los tornillos suministrados con el radio. (Figura C)
4. Ubique el arnés de cableado de fábrica y el conector de la antena en el tablero. Metra recomienda el uso de los adaptadores adecuados de acoplamiento de Metra y/o AXXESS.
5. Monte el conjunto del radio en el tablero y vuelva a armar el tablero al revés de como lo desarmó.



(Figura A)



(Figura B)

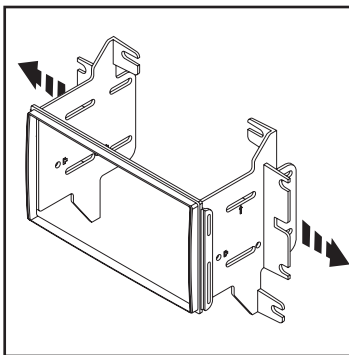


(Figura C)

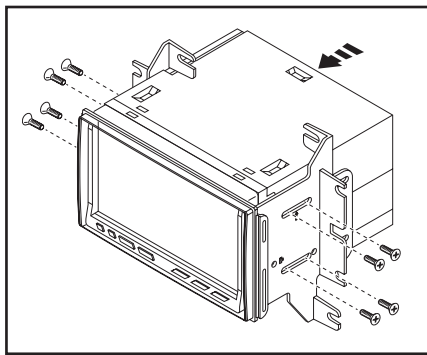
Ensamble del kit

Provisión de radio ISO DDIN

1. Una el soporte correspondiente al panel de la moldura de la carcasa del radio. *(Se muestra el soporte #2 con el panel de la moldura del radio estándar)* (Figura A)
2. Deslice el radio en el conjunto del soporte y sujételo con los tornillos suministrados con el radio. (Figura B)
3. Ubique el arnés de cableado de fábrica y el conector de la antena en el tablero. Metra recomienda el uso de los adaptadores adecuados de acoplamiento de Metra y/o AXXESS.
4. Monte el conjunto del radio en el tablero y vuelva a armar el tablero al revés de como lo desarmó.



(Figura A)



(Figura B)



99-7624

Notas

Notas

<hr/> <hr/> <hr/> <hr/> <hr/> <hr/> <hr/> <hr/> <hr/> <hr/> <hr/> <hr/> <hr/> <hr/> <hr/> <hr/> <hr/> <hr/> <hr/> <hr/> <hr/> <hr/> <hr/>	<hr/> <hr/> <hr/> <hr/> <hr/> <hr/> <hr/> <hr/> <hr/> <hr/> <hr/> <hr/> <hr/> <hr/> <hr/> <hr/> <hr/> <hr/> <hr/> <hr/> <hr/> <hr/> <hr/>
---	---



Instrucciones de instalación para la pieza 99-7624



IMPORTANTE

Si tiene dificultades con la instalación de este producto, llame a nuestra línea de soporte técnico al **1-800-253-TECH**. Antes de hacerlo, revise las instrucciones por segunda vez y asegúrese de que la instalación se haya realizado exactamente como se indica en las instrucciones. Por favor tenga el vehículo desarmado y listo para ejecutar los pasos de resolución de problemas antes de llamar.



EL CONOCIMIENTO ES PODER
Mejore sus habilidades de instalación y fabricación inscribiéndose en la escuela de dispositivos electrónicos móviles más reconocida y respetada de nuestra industria. Regístrese en www.installerinstitute.com o llame al 800-354-6782 para obtener más información y avance hacia un futuro mejor.



Metra recomienda técnicos con certificación del Programa de Certificación en Electrónica Móvil (Mobile Electronics Certification Program, MECP).

REV 12/14/2016 INST99-7624