



## Subaru Impreza 2017-up

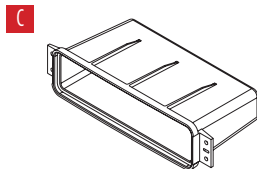
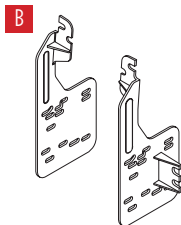
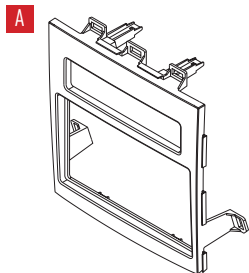
\*Visit [MetraOnline.com](http://MetraOnline.com) for up-to-date vehicle specific applications.

### KIT FEATURES

- ISO DDIN radio provision
- Painted high gloss black

### KIT COMPONENTS

- A) Radio housing trim panel • B) Radio brackets • C) Shallow pocket • D) (4) Panel clips • E) (4) #8 x 3/8" Phillips screws



### TABLE OF CONTENTS

Dash Disassembly .....	2
Kit Preparation .....	2
Kit Assembly .....	3

### WIRING & ANTENNA CONNECTIONS (sold separately)

- Wiring Harness: 70-1761
- Antenna Adapter: 40-LX11

### TOOLS REQUIRED

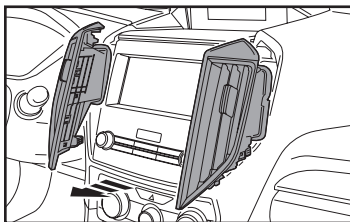
- Panel removal tool • Phillips screwdriver

**CAUTION!** All accessories, switches, climate controls panels, and especially air bag indicator lights must be connected before cycling the ignition. Also, do not remove the factory radio with the key in the on position, or while the vehicle is running.

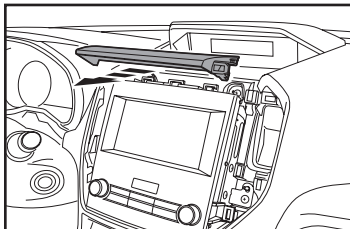
## DASH DISASSEMBLY

1. Unclip and remove the a/c vents on each side of the factory radio. (Figure A)
2. Unclip and remove the trim panel on top of the factory radio. (Figure B)
3. Remove (4) Phillips screws securing the radio, then unclip and remove it. (Figure C)

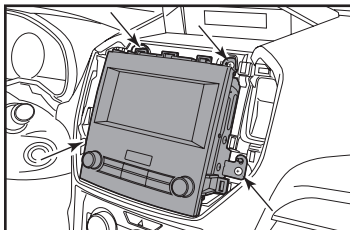
Continue to Kit Preparation



(Figure A)



(Figure B)

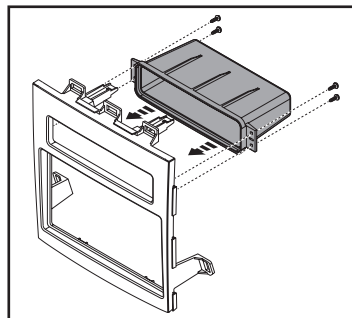


(Figure C)

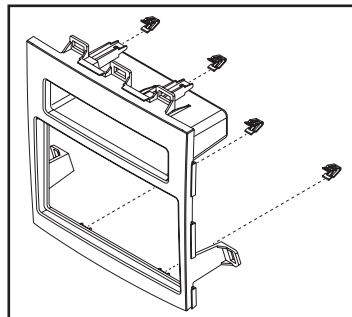
## KIT PREPARATION

1. Attach the shallow pocket to the radio housing trim panel using (4) #8 x 3/8" Phillips screws provided. (Figure A)
2. Attach the (4) panel clips to the radio housing trim panel. (Figure B)

Continue to Kit Assembly



(Figure A)

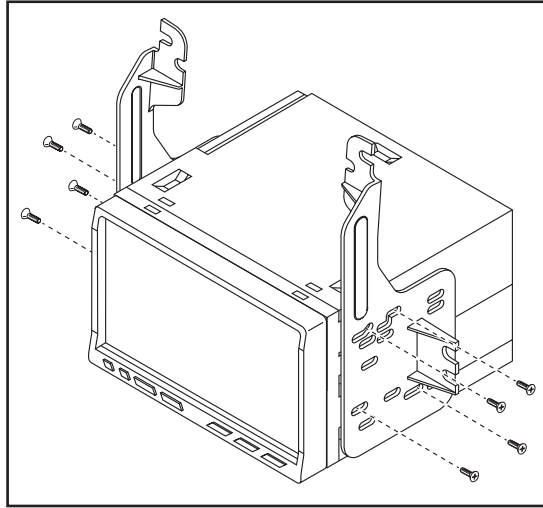


(Figure B)

## KIT ASSEMBLY

### ISO DDIN radio provision

1. Attach the *radio brackets* to the radio using the screws supplied with the radio. (Figure A)
2. Locate the factory wiring harness and antenna connector in the dash and complete all necessary connections to the radio. Metra recommends using the proper mating adapter from Metra. Test the radio for proper operation.
3. Secure the completed assembly into the sub-dash using the factory screws.
4. Snap the *radio housing trim panel* over the completed assembly, and then reassemble the dash in reverse order of disassembly.



(Figure A)



**95-8908HG**  
INSTALLATION INSTRUCTIONS



**IMPORTANT**

*If you are having difficulties with the installation of this product, please call our Tech Support line at 1-800-253-TECH. Before doing so, look over the instructions a second time, and make sure the installation was performed exactly as the instructions are stated. Please have the vehicle apart and ready to perform troubleshooting steps before calling.*



**KNOWLEDGE IS POWER**

Enhance your installation and fabrication skills by enrolling in the most recognized and respected mobile electronics school in our industry. Log onto [www.installerinstitute.com](http://www.installerinstitute.com) or call 800-354-6782 for more information and take steps toward a better tomorrow.



**Metra recommends MECP certified technicians**